



---

Installation, Operation & Maintenance Manual

# iSteamX

mr.steam® | Feel Good Inc.®

**READ ME FIRST!**

**!WARNING** As you follow these instructions, you will notice warning and caution symbols. This blocked information is important for the safe and efficient installation and operation of this generator. These are types of potential hazards that may occur during installation and operation:

**!WARNING** Indicates a potentially hazardous situation, which, if not avoided, could result in death or serious injury.

**!CAUTION** Indicates a potentially hazardous situation, which, if not avoided may result in minor or moderate injury or product damage.

**NOTICE** This highlights information that is especially relevant to a problem-free installation.

All information in these instructions is based on the latest product information available at the time of publication. Mr.Steam reserves the right to make changes at any time without notice.

When installing and using this electrical equipment, basic safety precautions should always be followed, including the following:

**IMPORTANT SAFETY INSTRUCTIONS**

**1. READ AND FOLLOW ALL INSTRUCTIONS**

**2. !WARNING** Do not permit children under the age of 16 to use this steambath.

**3. !WARNING** Steam is hot and can cause injury or death if improperly used. Steam rooms contain steam and elevated temperatures. Please read and observe all warnings in this manual before installing or using a steam room.

**4. !WARNING** To reduce the risk of injury:

**A.** The wet surfaces of steam enclosures may be slippery. Use care when entering or leaving.

**B.** The steam head is hot. Do not touch the steamhead and avoid the steam near the steamhead.

**C.** Prolonged use of the steam system can raise excessively the internal human body temperature and impair the body's ability to regulate its internal temperature (hyperthermia). Limit your use of steam to 10-15 minutes until you are certain of your body's reaction.

**D.** Excessive temperatures have a high potential for causing fetal damage during the early months of pregnancy. Pregnancy or possibly pregnant women should consult a physician regarding correct exposure.

**E.** Obese persons and persons with a history of heart disease, low or high blood pressure, circulatory system problems, or diabetes should consult a physician before using a steambath.

**F.** Persons using medication should consult a physician before using a steambath since some medication may induce drowsiness while other medications may affect heart rate, blood pressure and circulation.

**SAVE THESE INSTRUCTIONS**

**HYPERTHERMIA** occurs when the internal temperature of the body reaches a level several degrees above the normal body temperature of 98.6° F. The symptoms of hyperthermia include an increase in the internal temperature of the body, dizziness, lethargy, drowsiness, and fainting. The effects of hyperthermia include:

- a) Failure to perceive heat;
- b) Failure to recognize the need to exit the steambath;
- c) Unawareness of impending risk;
- d) Fetal damage in pregnant women;
- e) Physical inability to exit the steambath; and
- f) Unconsciousness.

**!WARNING**  
The use of alcohol, drugs, or medication can greatly increase the risk of hyperthermia.

**Table of Contents:**

Important Safety Instructions .....1

**INSTALLER INFORMATION**

Box Content .....2  
 Dimensional Information .....2  
 Before Installing .....3  
 Locating the Control .....4  
 iSteamX® Installation .....5-6

**USER/HOMEOWNER INFORMATION**

Important Safety Instructions .....7

**Operating Instructions**

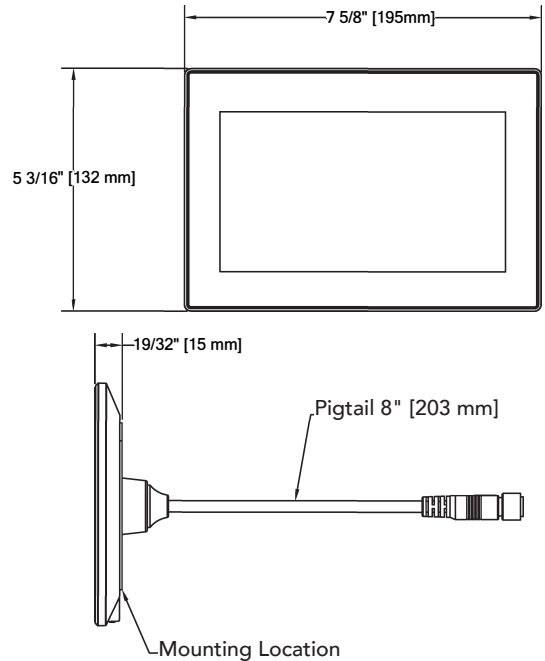
Stand-By, Start, Dashboard, Set Timer .....8  
 Set Temperature .....9  
 ChromaSteam® .....9  
 AromaSteam® .....9  
 APPs .....10  
 User Settings .....10  
 AutoStart, Passcode, About .....11  
 Care Tips, Safety & Operating Info .....12  
 Warranty .....12

**Box Contents:**

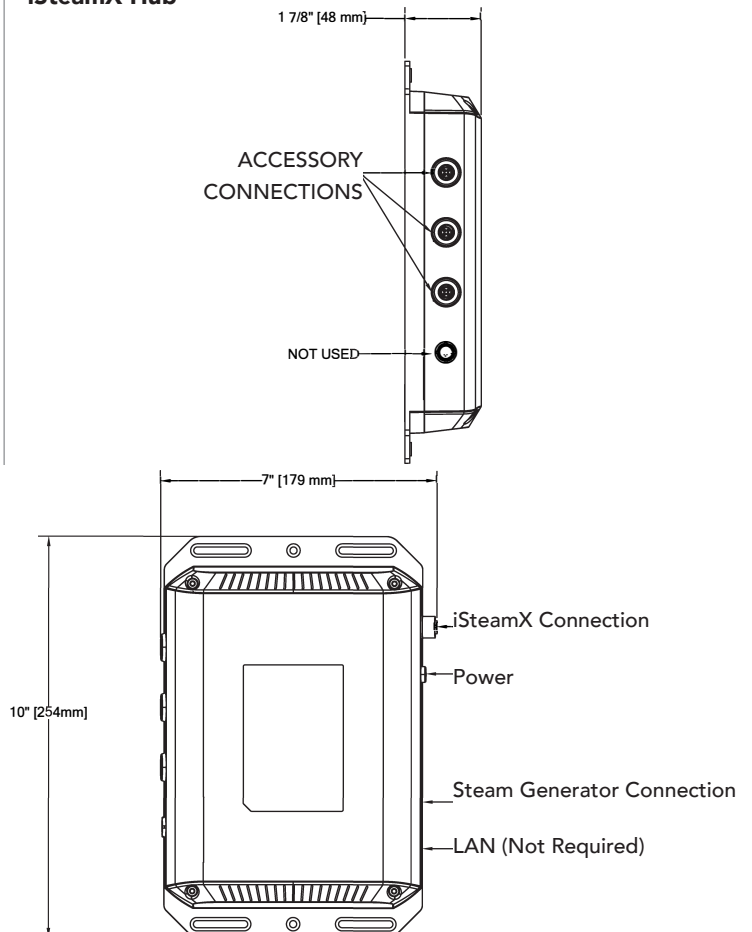
- iSteamX Control
- iSteamX Hub
- Power Supply
- Control Cable w/Mini-Din (30ft)
- iSteamX cable w/Screw connector (30ft)
- Steamhead
- Tube of silicone sealant
- Owner's manual

**Dimensional Information**

**iSteamX**



**iSteamX Hub**



**! WARNING** To avoid unintentional steambath operation, do not locate the control where other controls, accessories, shower heads, valves, body sprays or similar within the shower could cause confusion or interfere with the Mr.Steam control's intended use and function.

- ! CAUTION**
- To prevent possible injury Do Not use the iSteamX control without reading and understanding the Mr.Steam steam generator Installation and Operation Manual.
  - A peel and stick warning sticker is provided in the Mr.Steam steam generator Installation, Operation and Maintenance Manual. This manual is provided with every steam generator. The warning sticker must be read and permanently affixed in a conspicuous location near the steam room. Failure to read and affix this warning sticker in a conspicuous location may result in serious injury or death. Please call Mr.Steam at 800 767-8326 for a free replacement or if you have any questions regarding the warning sticker.

**! CAUTION** Do not route iSteamX control wiring inside conduit together with power lines or close to hot water or steam piping. Doing so may result in an inoperative or hazardous installation. Do not alter or modify any Mr.Steam products including the steam generator or iSteamX control. Doing so may result in an inoperative or hazardous installation and will void the warranty.

**IMPORTANT NOTES:**

- Turn power to the steam generator OFF before connecting the control to the generator. Failure to turn the power off will result in an inoperable control.
- Do not operate the iSteamX control with other than a Mr.Steam iSteamX compatible steam generator. Mr.Steam residential steam generators with serial numbers lower than 1174000, or any other brand of steam generator are not to be operated with iSteamX controls. Doing so may result in an inoperative installation. If your generator's serial number is lower than 1174000 contact Mr.Steam Technical Service for up-grade options and components to enable your steam generator to function with iSteamX.
- This document contains important safety, operation and maintenance information. Leave this document with the homeowner. Do not discard this document.
- Discontinue use of the steam generator or control if the steam generator is damaged or otherwise not functioning properly. Doing so may result in an inoperative or hazardous installation
- Refer to the Steambath Generator Installation, Operation and Maintenance Manual for locating and installing the steamhead.

**! WARNING** Do Not alter or modify any Mr.Steam products. Doing so may result in an inoperable or hazardous installation and will void the warranty.

Not actual size	<b>! WARNING</b>
	<b>REDUCE THE RISK OF OVERHEATING AND SCALDING</b>
	<ol style="list-style-type: none"> <li>1. EXIT IMMEDIATELY IF UNCOMFORTABLE, DIZZY OR SLEEPY. STAYING TOO LONG IN A HEATED AREA IS CAPABLE OF CAUSING OVERHEATING.</li> <li>2. SUPERVISE CHILDREN AT ALL TIMES.</li> <li>3. CHECK WITH A DOCTOR BEFORE USE IF PREGNANT, DIABETIC, IN POOR HEALTH OR UNDER MEDICAL CARE.</li> <li>4. BREATHING HEATED AIR IN CONJUNCTION WITH CONSUMPTION OF ALCOHOL, DRUGS, OR MEDICATION IS CAPABLE OF CAUSING UNCONSCIOUSNESS.</li> <li>5. DO NOT CONTACT STEAM HEAD OR STEAM AT THE STEAM HEAD.</li> </ol>
	<b>REDUCE THE RISK OF SLIPPING AND FALL INJURY</b>
	<ol style="list-style-type: none"> <li>1. USE CARE WHEN ENTERING OR EXITING THE STEAM ROOM. FLOOR MAY BE SLIPPERY</li> </ol>
	<p>NOTE: FOR ADDITIONAL SAFETY CONSIDERATIONS SEE OWNER'S MANUAL WHICH IS KEPT: _____</p> <p>THE OWNER'S MANUAL CAN BE FOUND AT <a href="http://WWW.MRSTEAM.COM">WWW.MRSTEAM.COM</a></p>
	<p>USE OF STEAM ROOM IN CONJUNCTION WITH CONSUMPTION OF ALCOHOL CAN BE DANGEROUS AND CAN RESULT IN INJURY THROUGH SLIP AND FALL OR OTHERWISE.</p>
	<p>mr.steam® 43-20 34th Street, Long Island City NY 11101 1 800 76 STEAM www.mrsteam.com PUR100378 3.22</p>

- If an iSteamX control is installed outside the steam room a Remote Temperature Probe (PN MST5) must be installed inside the steam room per installation instructions supplied with the Remote Temperature Probe. Failure to install according to instructions will result in an inoperative control and overheating of the steam room.

## Locating the Control

Determine the desired installation location of the control. The iSteamX controls are designed to be installed inside or outside the steam room as a matter of personal preference. If the control is installed inside the steam room:

- Locate the control 4-5 feet above the floor near the bather seating area.
- The control features an integral temperature sensor. Locate the control in a location representative of the desired steam bathing temperatures. Do not locate the control above or near the steam head or direct steam emissions.
- Locate the control on a vertical wall.
- The control cable is 30 feet. Insure that the control and steam generator are located accordingly.

### IMPORTANT NOTES:

- If required, contact Mr.Steam to purchase an optional 60' iSteamX control cable part number 104541-60.
- If the control is installed outside the steam room a Remote Temperature Probe Part Number MSTS must be installed inside the steam room. Refer to the MSTS installation manual before installing the control.
- Ensure Mr.Steam steam generator is iSteamX compatible and has a serial number 1174000 or higher.

### STEP 1

Make a 1-1/4" diameter hole in the desired control location.

### STEP 2

Route the control cable from the wall cutout to the iSteamX Hub. Plug in and thread the connector collar into the Hub at the location marked Control.

**IMPORTANT NOTE:** The connector is keyed, it will only connect one way.

**IMPORTANT NOTE:** The control cable should be in a dedicated 1" conduit to facilitate installation and service. Be careful not to strain, staple, pinch or otherwise damage the control cable. Route cable as required to permit replacement. Do not route cable inside conduit together with power lines or close to hot water or steam piping.

**⚠ WARNING** Do Not Route control wiring inside conduit together with power wiring or close to hot water or steam piping. Doing so may result in an inoperative or hazardous installation



Finish the iSteamX installation using the instructions on page 7.

## Installation Instructions for iSteamX

### STEP 1.

Mount the hub securely. The hub may be mounted in any orientation.

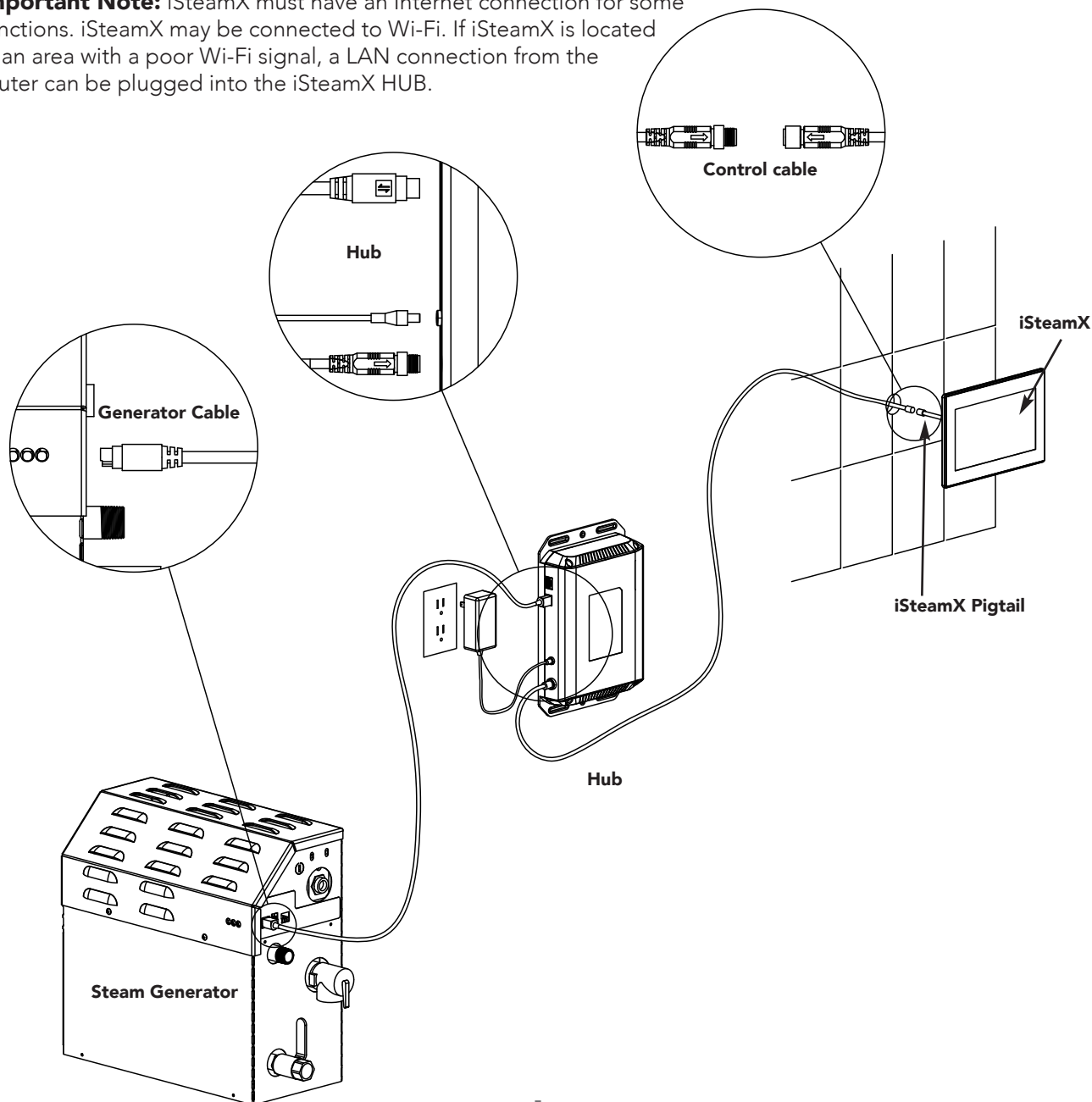
Plug the 30 foot generator cable into the generator and into the hub.

**CAUTION** Do not force or twist cable ends together. Forcing or twisting cable ends may damage the connectors.

Plug the 30 foot control cable into the hub and into the iSteamX. Thread to connector collars together.

Plug the hub's power supply into an outlet.

**Important Note:** iSteamX must have an Internet connection for some functions. iSteamX may be connected to Wi-Fi. If iSteamX is located in an area with a poor Wi-Fi signal, a LAN connection from the router can be plugged into the iSteamX HUB.



## Installation Instructions for iSteamX (cont.)

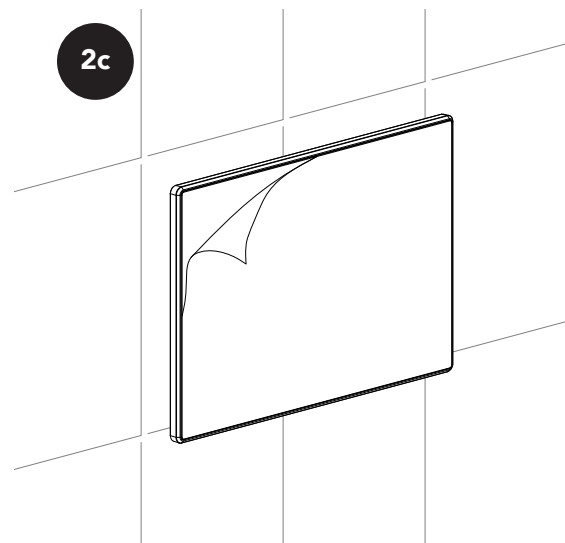
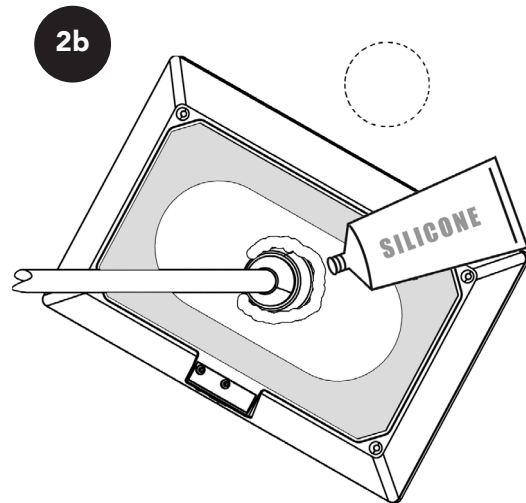
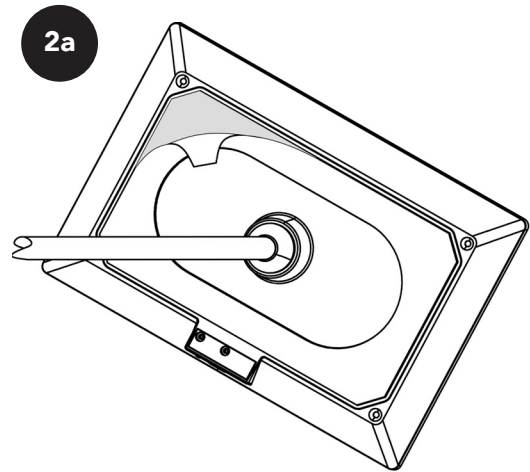
### STEP 2

Peel the double stick adhesive off the back of the iSteamX control (2a). Apply a bead of silicone around the rear of the iSteamX control to create a moisture seal (2b). Carefully feed the cables into the rough-in box and secure the control to the wall. Care must be taken to not pinch the cables. Ensure the control is level.

**IMPORTANT NOTE:** The control must be installed.

**NOTE:** The silicone supplied by Mr.Steam can be used to meet a variety of sealing and gasketing. It cures to silicone rubber and adheres to glass, wood, metal, porcelain, ceramic tile, painted surfaces, many plastics and rubber. Surfaces must be clean and dry. Apply thin layer of product. Fit together and support if necessary. Allow excess material to cure, then trim with a sharp blade. Sealant "skins" in 5 minutes, dries to touch in 1 hour. Fully cures and bonds in 24 hrs.

**IMPORTANT NOTE:** Do not apply excessive amounts of silicone. Do not apply silicone to any other parts of the control including the adhesive gasket. Ensure the mounting surface is clean and dry as required for good adhesion. Hold the control with the arrow on the screen protector facing up and press the control against the wall until the adhesive sticks and holds firmly. Control may have to be supported or secured until the silicone has cured for 24 hours.



**READ ME FIRST!**

**! WARNING** As you follow these instructions, you will notice warning and caution symbols. This blocked information is important for the safe and efficient installation and operation of this generator. These are types of potential hazards that may occur during installation and operation:

**! WARNING** Indicates a potentially hazardous situation, which, if not avoided, could result in death or serious injury.

**! CAUTION** Indicates a potentially hazardous situation, which, if not avoided may result in minor or moderate injury or product damage.

**IMPORTANT NOTE:** This highlights information that is especially relevant to a problem-free installation.

All information in these instructions is based on the latest product information available at the time of publication. Mr.Steam any time without notice.

When installing and using this electrical equipment, basic safety precautions should always be followed, including the following:

**IMPORTANT SAFETY INSTRUCTIONS**

**1. READ AND FOLLOW ALL INSTRUCTIONS**

2. **! WARNING** Do not permit children under the age of 16 to use this steambath.
3. **! WARNING** Steam is hot and can cause injury or death if improperly used. Steam rooms contain steam and elevated temperatures. Please read and observe all warnings in this manual before installing or using a steam room.
4. **! WARNING** To reduce the risk of injury:
  - A. The wet surfaces of steam enclosures may be slippery. Use care when entering or leaving.
  - B. The steam head is hot. Do not touch the steamhead and avoid the steam near the steamhead.
  - C. Prolonged use of the steam system can raise excessively the internal human body temperature and impair the body's ability to regulate its internal temperature (hyperthermia). Limit your use of steam to 10-15 minutes until you are certain of your body's reaction.
  - D. Excessive temperatures have a high potential for causing fetal damage during the early months of pregnancy. Pregnancy or possibly pregnant women should consult a physician regarding correct exposure.
  - E. Obese persons and persons with a history of heart disease, low or high blood pressure, circulatory system problems, or diabetes should consult a physician before using a steambath.
  - F. Persons using medication should consult a physician before using a steambath since some medication may induce drowsiness while other medications may affect heart rate, blood pressure and circulation.

**SAVE THESE INSTRUCTIONS**

**HYPERTHERMIA** occurs when the internal temperature of the body reaches a level several degrees above the normal body temperature of 98.6° F. The symptoms of hyperthermia include an increase in the internal temperature of the body, dizziness, lethargy, drowsiness, and fainting. The effects of hyperthermia include:

- a) Failure to perceive heat;
- b) Failure to recognize the need to exit the steambath;
- c) Unawareness of impending risk;
- d) Fetal damage in pregnant women;
- e) Physical inability to exit the steambath; and
- f) Unconsciousness.

**! WARNING** The use of alcohol, drugs, or medication can greatly increase the risk of hyperthermia.

**! WARNING** The peel and stick warning label located in the steam bath generator manual is an essential part of providing a safe environment for steam room users. The peel and stick warning label must be applied to the wall of the shower or steam enclosure, at a point that is visible to all users. Failure to install this sticker may result in serious injury or death.

The location where this owner's manual is kept shall be written in the space provided on the label using permanent ink.

For a replacement warning label contact MrSteam customer service at 1-800-76-STEAM or hello@mrsteam.com

**! WARNING**

**REDUCE THE RISK OF OVERHEATING AND SCALDING**

1. EXIT IMMEDIATELY IF UNCOMFORTABLE, DIZZY OR SLEEPY. STAYING TOO LONG IN A HEATED AREA IS CAPABLE OF CAUSING OVERHEATING.
2. SUPERVISE CHILDREN AT ALL TIMES.
3. CHECK WITH A DOCTOR BEFORE USE IF PREGNANT, DIABETIC, IN POOR HEALTH OR UNDER MEDICAL CARE.
4. BREATHING HEATED AIR IN CONJUNCTION WITH CONSUMPTION OF ALCOHOL, DRUGS, OR MEDICATION IS CAPABLE OF CAUSING UNCONSCIOUSNESS.
5. DO NOT CONTACT STEAM HEAD OR STEAM AT THE STEAM HEAD.

**REDUCE THE RISK OF SLIPPING AND FALL INJURY**

1. USE CARE WHEN ENTERING OR EXITING THE STEAM ROOM. FLOOR MAY BE SLIPPERY

NOTE: FOR ADDITIONAL SAFETY CONSIDERATIONS SEE OWNER'S MANUAL WHICH IS KEPT: \_\_\_\_\_  
 THE OWNER'S MANUAL CAN BE FOUND AT [WWW.MRSTEAM.COM](http://WWW.MRSTEAM.COM)

USE OF STEAM ROOM IN CONJUNCTION WITH CONSUMPTION OF ALCOHOL CAN BE DANGEROUS AND CAN RESULT IN INJURY THROUGH SLIP AND FALL OR OTHERWISE.

mr.steam® 43-20 34th Street, Long Island City NY 11101 1 800 76 STEAM www.mrsteam.com PUR100378 3.22

Not actual size

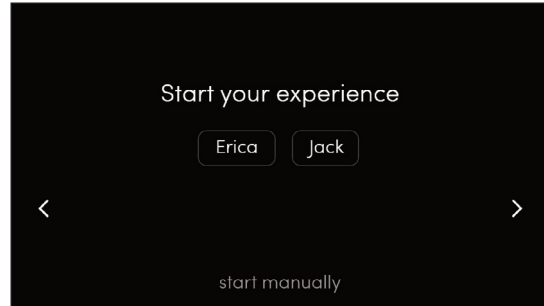
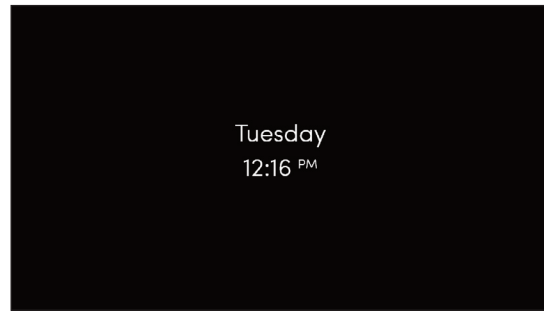


### Operating Instructions

**⚠️ WARNING** Set the steam bathing duration and temperature according to personal preference, however it is highly recommended to begin steam bathing at a low temperature setting to gauge comfort and safety levels. Set the duration at 10 minutes maximum to gauge comfort and safety levels. This will allow the steam generator to heat up and begin producing steam.

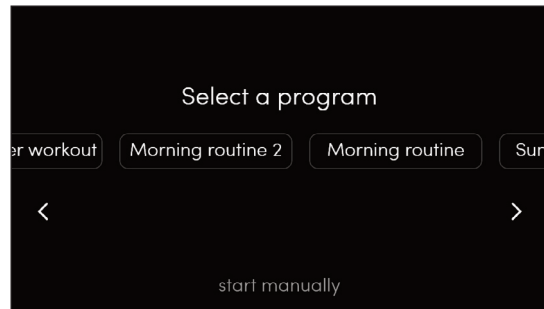
### Stand-By Screen

Touch anywhere on the clock screen to wake up the control



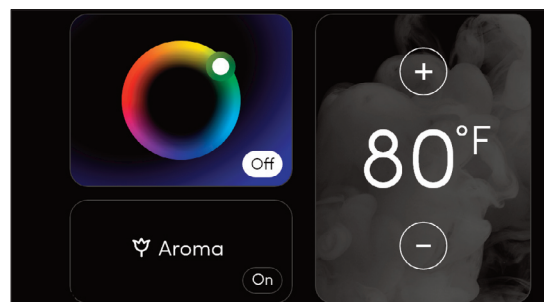
### Start Screen

Press the **START** button to turn the steam generator on. If you had selected a user profile and program when the control was woken up they system will start with the saved parameters. Steam will begin to slow a few minutes after the **START** button is pressed. The time required for the steam room to reach steam bathing temperature depends on the steam room construction and steam generator specifications



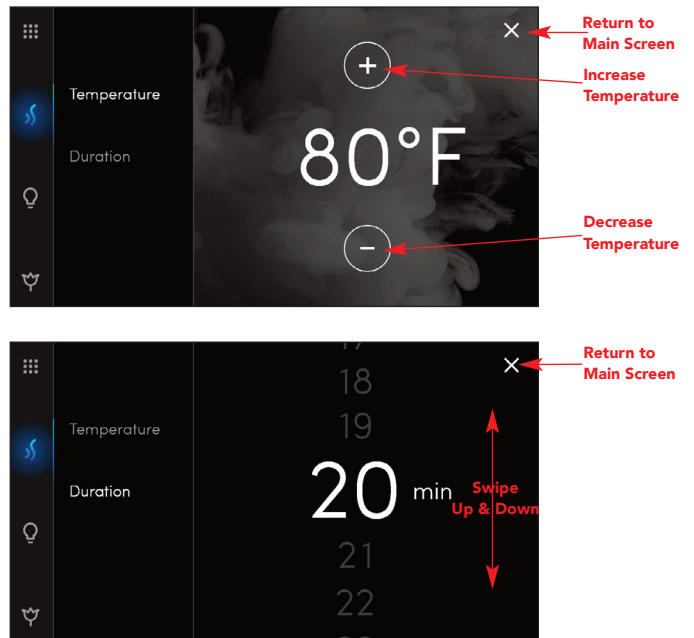
### Program Selection

User settings can be adjusted two ways, while steam is running drag the dashboard up from the bottom of the screen. AromaSteam can be turned **ON/OFF**, ChromaSteam can be turned **ON/OFF** and color adjusted and the room temperature can be adjusted.



### Steam Settings

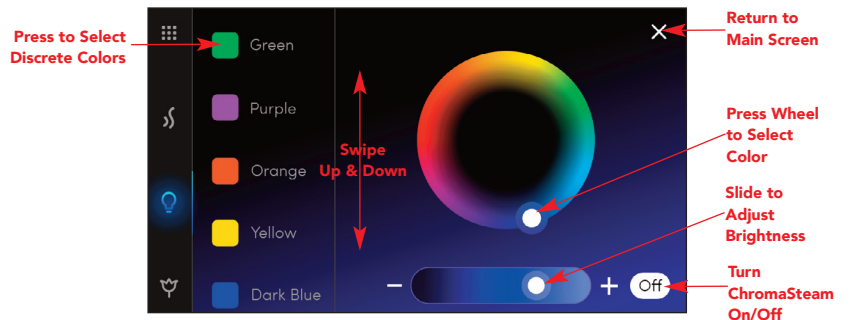
Steam settings can also be adjusted by tapping the Steam Settings icon on the main screen. From the steam setting screen select either Temperature or Duration. To adjust temperature use the + and - buttons. To adjust duration swipe the time up and down. To return to the main screen tap the **X** in the upper right.



### ChromaSteam

The ChromaSteam is an optional accessory that activates colored lights in the steam room. Press the ChromaSteam button to access the dashboard. The light is turned **ON/OFF** from the interface. Touch anywhere on the color wheel to select that color. To adjust brightness, use the slider on the bottom of the ChromaSteam dashboard. (Note: Brightness cannot be adjusted in automatic color changing modes)

Press the discrete color selection button to pick from a preselected set of colors or one of the two color changing modes.



### AromaSteam




The AromaSteam is an optional accessory that automatically infuses aromatic oils into the steam flow. Press the AromaSteam button to bring up that AromaSteam dashboard



## Apps

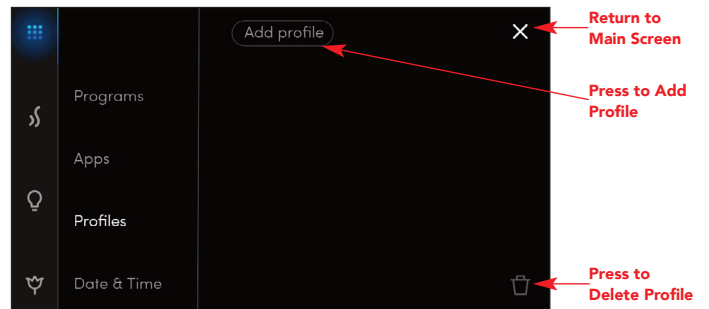
iSteamX must be connected to WiFi to use apps  
iSteamX must be paired with a Mr.Steam Audio@Home to hear audio from apps iSteamX includes a preinstalled selection of popular entertainment apps. Apps cannot be added or removed from iSteamX. The user interface of the preinstalled Apps may differ slightly from those apps installed on Smartphones. User accounts for the 3rd party apps are required to use some/all of their features.

Access Apps by pressing the Features icon.

When apps are running they can be closed by pressing the  icon or minimized by pressing the  icon. Use the  icon to go back.

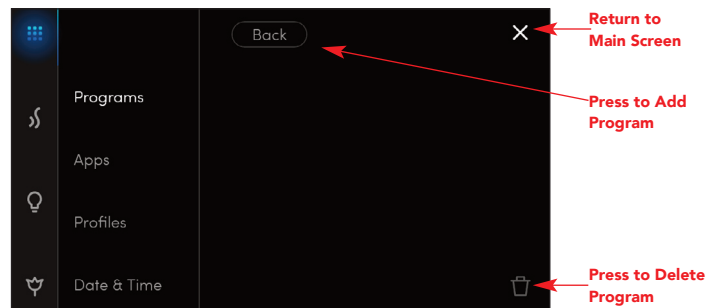
## User Profiles & Setting

User profiles are found in the features menu. Press Add Profile to create a user profile. Once a user profile is created, it can be made active by tapping the profile name. User profiles can be deleted by pressing the trashcan.

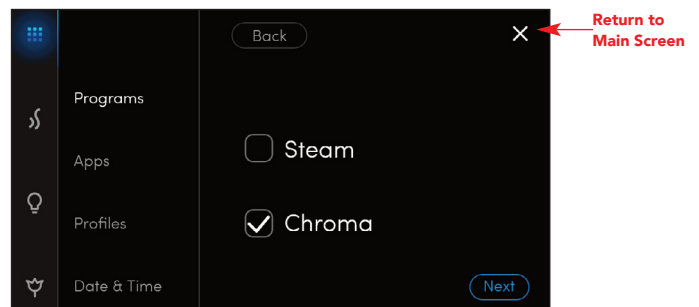


## User Programs

In the features menu select a profile before creating a program. To create a program press the add program button. A keyboard will open and the user will be prompted to name a program.



Each program can include a setting for steam and if equipped color of ChromaSteam. Select which options to include in the program by checking the box. Navigate through the set up by pressing the **NEXT** button

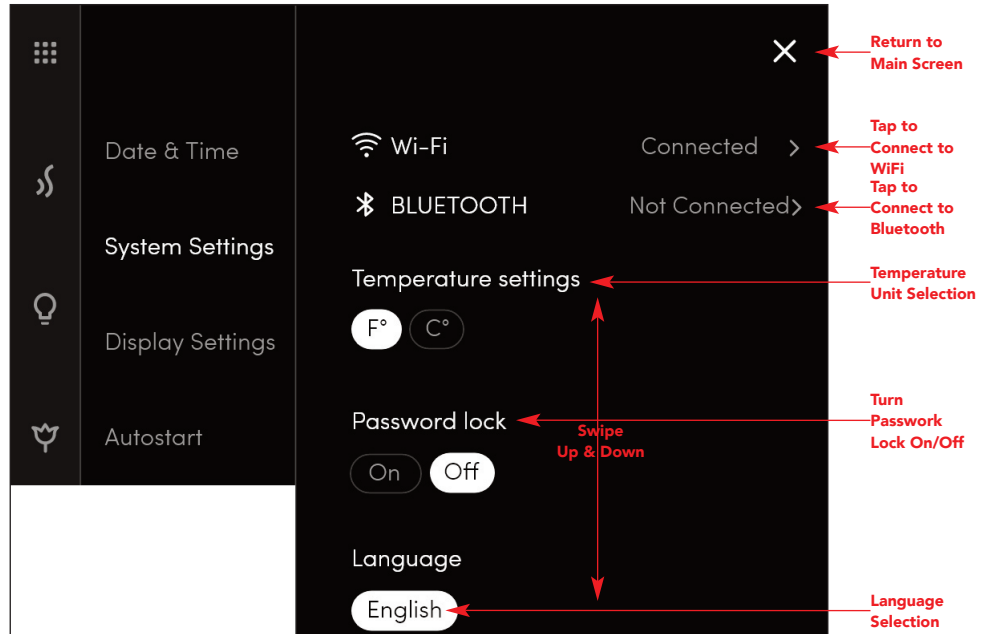


## System Settings

### Password Lock

The password lock can help prevent unintentional use of the steambath. Please refer to the steam generator installation, operation and maintenance manual before using the steambath. The passcode lock cannot ensure unintentional use of the steambath

To turn the password lock on, press **ON** and then enter a number when prompted and confirm to save. The next time iSteamX is turned on the user will be prompted to enter the password.



## AutoStart

AutoStart will automatically turn the steam generator on at your preset time. Activating the steam in an occupied room may subject persons to hazards described in this manual. Only activate the steambath if the steam room door is closed. Activating or using the steambath with an open door may cause property damage or injury to persons outside of the steam bath.

The AutoStart feature can be used to turn on the steambath at a predetermined time. Select the day(s) of the week and the time of day you would like to turn the steam bath on.

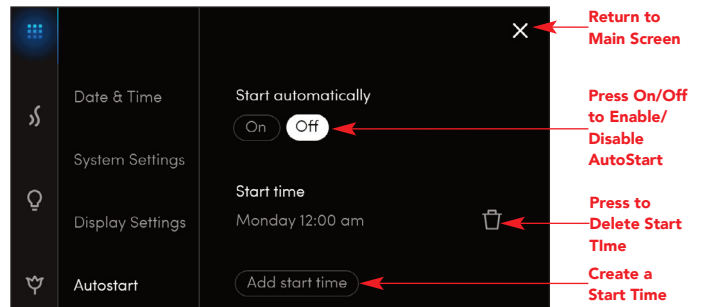
When AutoStart starts your steambath it will allow the steambath to run for only 10 minutes. To continue steam bathing press the continue button. If the continue button is pressed AutoStart will remain active.

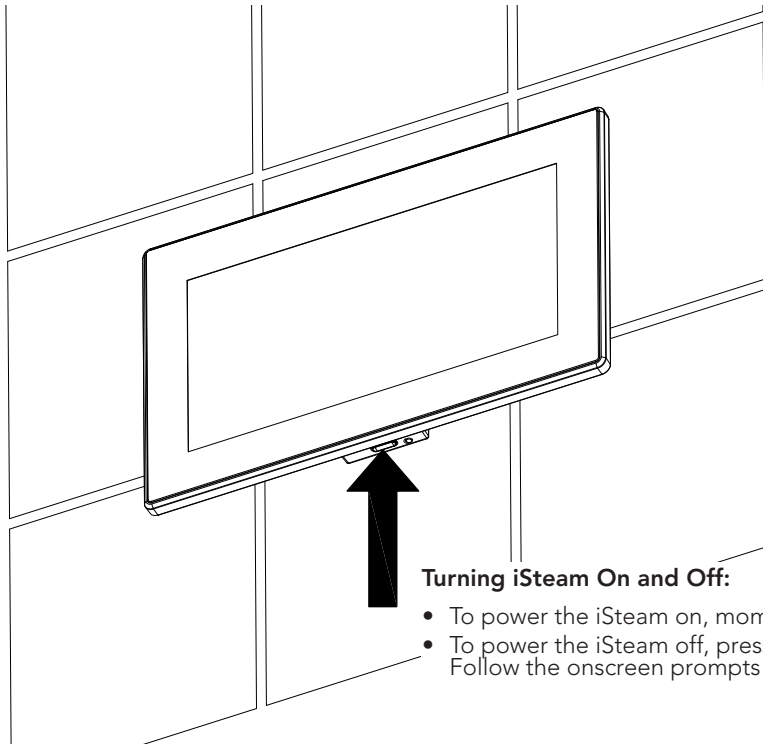
To stop the steam bath press the **STOP** button

If the **STOP** button or 10 minute time out turns the steam generator off. AutoStart will automatically be deactivated.

To create an AutoStart time tap the Add Start Time button. Select the start time and day(s) of the week for AutoStart. A maximum of 8 start times can be programmed. To delete a start time, press the trash icon.

To turn AutoStart on press the **ON** button.





**Turning iSteam On and Off:**

- To power the iSteam on, momentarily press the button on the bottom edge.
- To power the iSteam off, press and hold the button on the bottom edge of the control. Follow the onscreen prompts for power the iSteam off

**Care Tips**

Use only mild soap and water on a soft cloth to clean the control. Do not use abrasive cleansers.

**Safety & Operating Information**

**! WARNING** A peel and stick warning sticker is provided in the Mr.Steam steam generator Installation, Operation and Maintenance Manual. This manual is provided with every steam generator. The warning sticker must be read and permanently affixed in a conspicuous location near the steam room. Failure to read and affix this warning sticker in a conspicuous location may result in serious injury or death. Please call Mr.Steam at 800 767-8326 for a free replacement or if you have any questions regarding the warning sticker.

**! WARNING** Set the steam bathing duration and temperature according to personal preference, however it is highly recommended to begin steam bathing at a low temperature setting to gauge comfort and safety levels. Set the duration at 10 minutes max. to gauge comfort and

safety levels. This will allow the steam generator to heat up and begin producing steam.

**! CAUTION** Do not use any iSteamX control without reading and understanding the Mr.Steam steam generator Installation and Operation Manual (PN 100472). Failure to read and understand these instructions may result in an inoperative or hazardous installation.

**! CAUTION** If an iSteamX control is installed outside the steam room a Remote Temperature Probe (PN MST5) must be installed inside the steam room per installation instructions supplied with the Remote Temperature Probe. Failure to install according to instructions will result in an inoperative control and overheating of the steam room.

**Warranty**

To view or download the MrSteam Control Warranty and register your product go to: [blog.mrsteam.com/wr](http://blog.mrsteam.com/wr)

## FCC Statement:

Any Changes or modifications not expressly approved by the party responsible for compliance could void the user's authority to operate the equipment.

*This device complies with part 15 of the FCC Rules.*

*Operation is subject to the following two conditions:*

1. This device may not cause harmful interference, and
2. This device must accept any interference received, including interference that may cause undesired operation.

**Note:** This equipment has been tested and found to comply with the limits for a Class B digital device, pursuant to part 15 of the FCC Rules. These limits are designed to provide reasonable protection against harmful interference in a residential installation. This equipment generates uses and can radiate radio frequency energy and, if not installed and used in accordance with the instructions, may cause harmful interference to radio communications. However, there is no guarantee that interference will not occur in a particular installation. If this equipment does cause harmful interference to radio or television reception, which can be determined by turning the equipment off and on, the user is encouraged to try to correct the interference by one or more of the following measures:

- Reorient or relocate the receiving antenna.
- Increase the separation between the equipment and receiver.
- Connect the equipment into an outlet on a circuit different from that to which the receiver is connected.
- Consult the dealer or an experienced radio/TV technician for help.

This transmitter must not be co-located or operating in conjunction with any other antenna or transmitter. This equipment complies with FCC radiation exposure limits set forth for an uncontrolled environment. This equipment should be installed and operated with minimum distance 20cm between the radiator & your body.

## ISED Statement:

*This device contains licence-exempt transmitter(s)/receiver(s) that comply with Innovation, Science and Economic Development Canada's licence-exempt RSS(s). Operation is subject to the following two conditions:*

1. This device may not cause interference.
2. This device must accept any interference, including interference that may cause undesired operation of the device.

L'émetteur/récepteur exempt de licence contenu dans le présent appareil est conforme aux. CNR d'Innovation, Sciences et Développement économique Canada applicables aux appareils radio exempts de licence. L'exploitation est autorisée aux deux conditions suivantes:

1. L'appareil ne doit pas produire de brouillage;
2. L'appareil doit accepter tout brouillage radioélectrique subi, même si le brouillage est susceptible d'en compromettre le fonctionnement.

This transmitter must not be co-located or operating in conjunction with any other antenna or transmitter. Cet émetteur ne doit pas être colocalisé ou fonctionner en conjonction avec une autre antenne ou un autre émetteur. The device meets the exemption from the routine evaluation limits in section 2.5 of RSS-102 and compliance with RSS-102 RF exposure, users can obtain Canadian information on RF exposure and compliance. This equipment should be installed and operated with a minimum distance of 20 centimeters between the radiator and your body.

Le dispositif rencontre l'exemption des limites courantes d'évaluation dans la section 2.5 de RSS 102 et la conformité à l'exposition de RSS-102 rf, utilisateurs peut obtenir l'information canadienne sur l'exposition et la conformité de rf. Cet émetteur ne doit pas être Co-placé ou ne fonctionnant en même temps qu'aucune autre antenne ou émetteur. Cet équipement devrait être installé et actionné avec une distance minimum de 20 centimètres entre le radiateur et votre corps.

# Description of Operation

## Description

The product is a 7" Panel-PC based on Rockchip PX30 Cortex 35 chipset platform with Android 10.

The central processor units include the CPU, DDR memory and flash.

The PX30 is the main application processor, and SAMSUNG 2GB DDR3 system memory at PCBA. The SAMSUNG 16G eMMC is the system internal storage for OS or other data. The wireless unit includes WIFI/BT. The 6221A-SRC module provides the highest level of integration for a mobile or handheld wireless system with integrated IEEE 802.11 a/b/g/n/ac standard and Bluetooth® 4.2 .

The panel-PC will starting up automatically when powered on, the panel PC will display the boot up logo.

The system will discontinue transmission automatically and make the module enter standby mode with no connection. It cannot send and receive any data to preclude the transmission of control or signaling information or the use of repetitive codes used by certain digital technologies to complete frame or burst intervals.

## Technical Specifications

### WIFI Module

- Operation frequency: 2.412 GHz ~ 2.462 GHz (2.4 GHz ISM Band), 5.180 GHz ~ 5.240 GHz, 5.745 GHz ~ 5.825 GHz (5.0 GHz ISM Band).
- WLAN function: Supports 802.11a, 802.11b, 802.11g/n, 802.11ac
- Modulation Type: Supports DBPSK/DQPSK/CCK(DSSS), BPSK/QPSK/16QAM/64QAM(OFDM), BPSK/QPSK/16QAM/64QAM/256QAM(OFDM)
- Modulation type Transfer Rate (Mbps):
  - 802.11a : 6, 12, 54Mbps
  - 802.11b : 1, 11Mbps
  - 802.11g : 6, 12, 54Mbps
  - 802.11n: 6.5, 13, 19.5, 26, 39, 52, 58.5, 65Mbps
- Antenna Type: PCB
- Gain: 1.3dBi for 2.4G and 1.3dBi for 5G.

### Bluetooth Features

- Compliant with Bluetooth4.2 specification
- Operation frequency: 2402MHz~2480MHz
- Modulation Type: GFSK,  $\pi/4$ DQPSK, 8DPSK
- Antenna Type: PCB
- Gain: 1.3dBi

### Crystal

Main board: 24MHz for CPU, 32.768KHz for PMU, 25MHz for PHY.

---

[www.mrsteam.com](http://www.mrsteam.com)

Products, information and specifications are subject to change without notice.

Please call Technical Support at 1.800.76.STEAM (East Coast) or 1.800.72.STEAM (West Coast) for more information.

**NOTICE** The model and serial number is printed on the data plate on the front of the steam bath generator. Have this information available when contacting Technical Service.

---

mr.steam® | [hello@mrsteam.com](mailto:hello@mrsteam.com) | [www.mrsteam.com](http://www.mrsteam.com)

43-20 34th Street, Long Island City, NY 11101 TEL: 1 800 76 STEAM | 9410 S. La Cienega Blvd. Inglewood CA 90301 TEL: 1 800 72 STEAM

2020 © MrSteam and des., A Lifetime of Pleasure, AirTempo, AromaFlo, AudioWizard, AutoFlush, AutoSteam, Butler Package, ChromaSteam, Clean Steam...Every Time, Club Therapy, CT Day Spa, Digital 1, Express Steam, Feel Good Inc., From Bathroom to Spa, HomeWizard, iButler, iGenie, iSpa Package, iSteam, iTempo, iTempo/Plus, Linear Steamhead, Making Wellness a Way of Life, Music Therapy, My Steam, SmartSizing, Spa Package, Steam Genie, Steam on Demand, Steam in a Box, Steam@Home, SteamStart, SteamTherapy, MrSteam, Tala, Tala Bath & Body, Tempo, The Intelligent Steam Bath, Valet Package, and Virtual Spa System are registered trademarks of MrSteam.

PUR 100543 Rev 6.23(2)